

Pignons pour uni 810/812/815 et uni Magnet

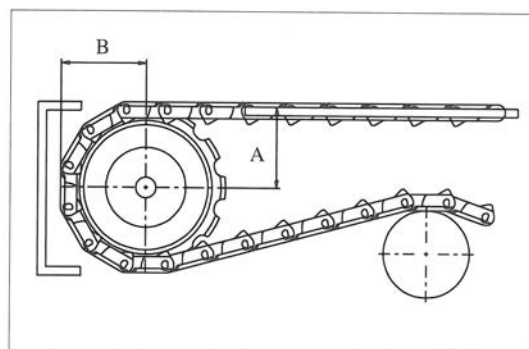
| Nombre de dents | Diamètre primitif | | min. | | Alésage max. PA | | max. fonte | | Référence uni | | |
|-----------------|-------------------|------|------|------|-----------------|------|------------|------|---------------|-------------|------------|
| | mm | po | mm | po | mm | po | mm | po | SS304 | Fonte | Polyamide |
| 13 | 82.0 | 3.23 | 20.0 | 0.79 | 40.0 | 1.57 | 50.0 | 1.97 | - | 123281513CI | - |
| 19 | 117.3 | 4.62 | 20.0 | 0.79 | 40.0 | 1.57 | 50.0 | 1.97 | - | 123281519CI | 123381519N |
| 21 | 129.2 | 5.09 | 20.0 | 0.79 | 40.0 | 1.57 | 50.0 | 1.97 | 123181521SS | 123281521CI | 123381521N |
| 23 | 141.2 | 5.56 | 20.0 | 0.79 | 40.0 | 1.57 | 50.0 | 1.97 | - | 123281523CI | 123381523N |
| 25 | 153.2 | 6.03 | 20.0 | 0.79 | 40.0 | 1.57 | 50.0 | 1.97 | - | 123281525CI | 123381525N |
| 27 | 165.2 | 6.50 | 20.0 | 0.79 | 40.0 | 1.57 | 57.2 | 2.25 | - | 123281527CI | 123381527N |
| 29 | 177.2 | 6.98 | 20.0 | 0.79 | 40.0 | 1.57 | 57.2 | 2.25 | - | 123281529CI | 123381529N |
| 31 | 189.3 | 7.45 | 20.0 | 0.79 | 40.0 | 1.57 | 57.2 | 2.25 | - | 123281531CI | 123381531N |



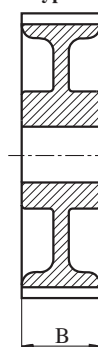
Largeur des pignons:
42.3 mm (1.67 in.)

Alésage et rainure de clavette sur demande.

| Nombre de dents | Cote B min. | | Distance A des profils de glissement | |
|-----------------|-------------|------|--------------------------------------|------|
| | mm | po | mm | po |
| 13 | 48.0 | 1.89 | 39.5 | 1.56 |
| 19 | 65.0 | 2.56 | 61.9 | 2.44 |
| 21 | 71.0 | 2.80 | 67.9 | 2.67 |
| 23 | 77.0 | 3.03 | 73.9 | 2.91 |
| 25 | 83.0 | 3.27 | 79.9 | 3.15 |
| 27 | 89.0 | 3.50 | 85.9 | 3.38 |
| 29 | 95.0 | 3.74 | 91.9 | 3.62 |
| 31 | 101.0 | 3.97 | 97.9 | 3.85 |



Type 2



principe de l'assemblage des 2 parties

Pignons en deux parties pour uni 810, uni 812, uni 815 et uni Magnétique

| Nombre de dents | Diamètre primitif | | Diamètre moyeu | | Largeur dents B | | Alésage | | | | Référence uni |
|-----------------|-------------------|------|----------------|------|-----------------|------|---------|------|------|------|---------------|
| | mm | po | mm | po | mm | po | min. | | max. | | Polyamide |
| 19 | 117.3 | 4.62 | 58.0 | 2.28 | 42.3 | 1.67 | 20.0 | 0.78 | 40.0 | 1.57 | 123381519NT |
| 21 | 129.3 | 5.09 | 58.0 | 2.28 | 42.3 | 1.67 | 20.0 | 0.78 | 40.0 | 1.57 | 123381521NT |
| 23 | 141.2 | 5.56 | 58.0 | 2.28 | 42.3 | 1.67 | 20.0 | 0.78 | 40.0 | 1.57 | 123381523NT |
| 25 | 153.2 | 6.03 | 58.0 | 2.28 | 42.3 | 1.67 | 20.0 | 0.78 | 40.0 | 1.57 | 123381525NT |