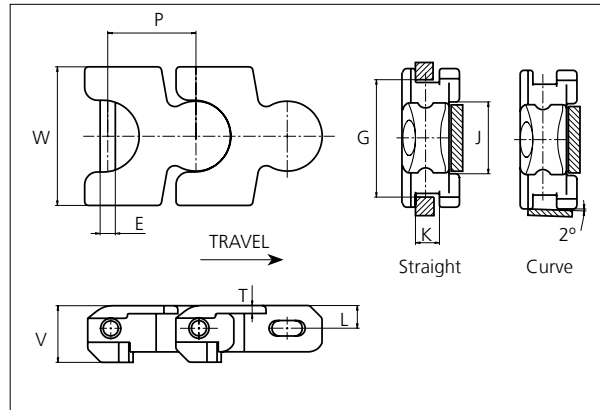


# uni Flex Plastic Chain

Series **uni 2700** Type -



## uni Flex Plastic Chain

Side flexing chain  
 Pitch: 70.0 mm (2.76 in)  
 Backflex radius:  
 200 mm (8.00 in)  
 Permissible tensile strength:  
 POM material:  
 11000 N (2473 lbf)

Standard shipping lengths:  
 boxes of 72 links  
 = 5.040 m (16.5 ft)

STANDARD

E		G		J		K		L		P		T		V	
mm	in	mm	in	mm	in	mm	in	mm	in	mm	in	mm	in	mm	in
12.0	0.47	92.0	3.64	57.0	2.24	19.0	0.75	18.5	0.71	70.0	2.76	6.3	0.25	45.0	1.77

All dimensions are for chains in POM material.

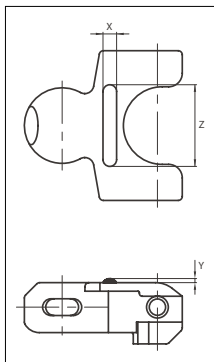
Width (W)		Material & color	Pin material	Weight		Min. radius (R)	
mm	in			kg/m	lb/ft	mm	in
110.0	4.33	POM-D <b>W</b> POM-LF <b>BR</b>	<b>SS304</b>	4.6	3.09	300.0	11.81

Non standard material and color: See uni Material and Color Overview.

Non standard pin material: See uni Material and Color Overview.

## Accessories

### Rubber Top/NON STANDARD



When ordering, please state the required distance between the Rubber Top.

Other Non Standard rubber profiles:  
 See uni Rubber Profile Overview

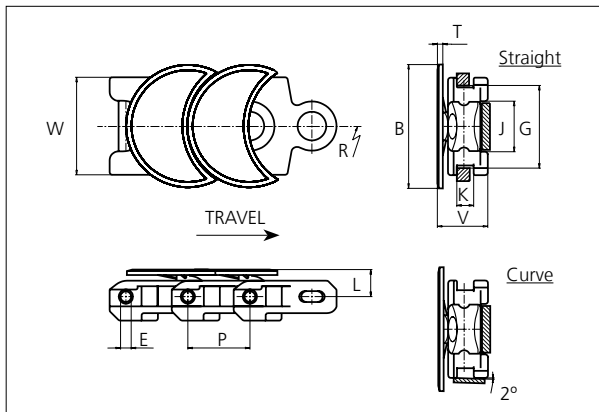
Link material	Rubber material	Z		X		Y	
		mm	in	mm	in	mm	in
POM-D <b>W</b>	05 <b>I</b>	10.0	0.39	60.0	2.36	3.0	0.12

SIDE FLEXING

PITCH 70.0 MM/2.76 IN

# uni Flex Plastic Chain

Series **uni 2700** Type **H**



**uni Flex Plastic Chain**  
Side flexing chain  
Pitch: 70.0 mm (2.76 in)  
Permissible tensile strength:  
POM material:  
11000 N (2473 lbf)  
  
Standard shipping lengths:  
boxes of 72 links  
= 5.040 m (16.5 ft)  
  
**Note that the 2700 H cannot backflex.**

B		E		G		J		K		L		P		T		V	
mm	in	mm	in	mm	in	mm	in	mm	in	mm	in	mm	in	mm	in	mm	in
139.0	5.47	12.0	0.47	92.0	3.62	57.0	2.24	19.0	0.75	29.4	1.16	70.0	2.76	6.1	0.24	56.4	2.22

All dimensions are for chains in POM material.

Width (W)		Recommended base material & color	Recommended plate material & color	Weight		Min. radius (R)	
mm	in			kg/m	lb/ft	mm	in
110.0	4.33	POM-D <b>W</b> POM-D <b>G</b> POM-LF <b>BR</b>	POM-D <b>W</b> POM-D <b>G</b> POM-LF <b>BR</b>	5.6	3.76	600.0	23.62

Non standard base material and color: See uni Material and Color Overview.

Non standard plate material and color: See uni Material and Color Overview.

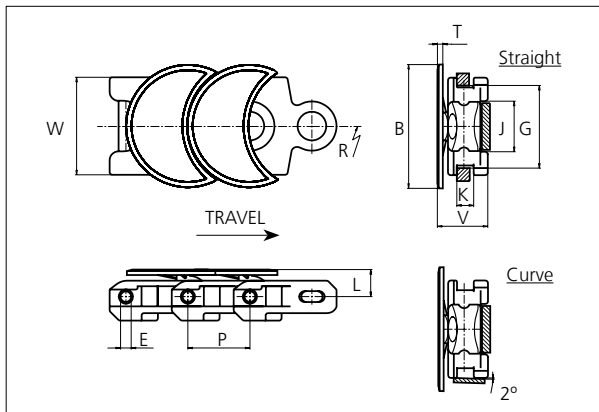
NON STANDARD

SIDE FLEXING

PITCH 70.0 MM/2.76 IN

# uni Flex Plastic Chain

Series **uni 2700** Type **H R**



**uni Flex Plastic Chain**  
Side flexing chain  
Pitch: 70.0 mm (2.76 in)  
Permissible tensile strength:  
POM material  
11000 N (2473 lbf)  
  
Standard shipping lengths:  
boxes of 72 links  
= 5.040 m (16.5 ft)  
  
**Note that the 2700 H R cannot backflex.**

B		E		G		J		K		L		P		T		V	
mm	in	mm	in	mm	in	mm	in	mm	in	mm	in	mm	in	mm	in	mm	in
139.0	5.47	12.0	0.47	92.0	3.62	57.0	2.24	19.0	0.75	29.4	1.16	70.0	2.76	6.1	0.24	56.4	2.22

All dimensions are for chains in POM material.

Width (W)		Recommended base material & color	Recommended plate material & color	Weight		Min. radius (R)	
mm	in			kg/m	lb/ft	mm	in
110.0	4.33	POM-D <b>W</b> POM-D <b>G</b> POM-LF <b>BR</b>	POM-D <b>W</b> POM-D <b>G</b> POM-LF <b>BR</b>	4.33	5.4	250.0	9.84

Non standard base material and color: See uni Material and Color Overview.

Non standard plate material and color: See uni Material and Color Overview.

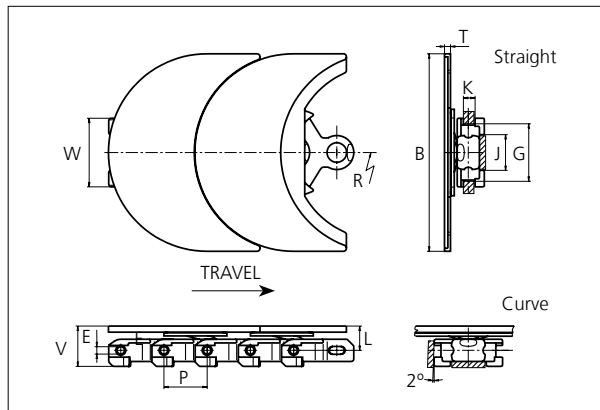
NON STANDARD

SIDE FLEXING

PITCH 70.0 MM/2.76 IN

# uni Flex Plastic Chain

Series **uni 2700** Type **LH**



## uni Flex Chains

Side flexing chain  
 Pitch: 70.0 mm (2.76 in)  
 Permissible tensile strength:  
 POM material  
 11000 N (2473 lbf)

Standard shipping lengths:  
 boxes of 36 links  
 = 2.520 (8.25 ft)

**Note that the 2700 LH cannot backflex.**

B		E		G		J		K		L		P		T		V	
mm	in	mm	in	mm	in	mm	in	mm	in	mm	in	mm	in	mm	in	mm	in
320.0	12.60	12.0	0.47	92.0	3.62	57.0	2.24	19.0	0.75	38.9	1.53	70.0	2.76	9.5	0.37	65.9	2.59

All dimensions are for chains in POM material.

Width (W)		Recommended base material & color	Recommended plate material & color	Weight		Min. radius (R)	
mm	in			kg/m	lb/ft	mm	in
110.0	4.33	POM-LF <b>BR</b>	PA6 <b>K</b>	8.7	5.85	600.0	23.62

Non standard material and color: See uni Material and Color Overview.

Non standard pin material: See uni Material and Color Overview.

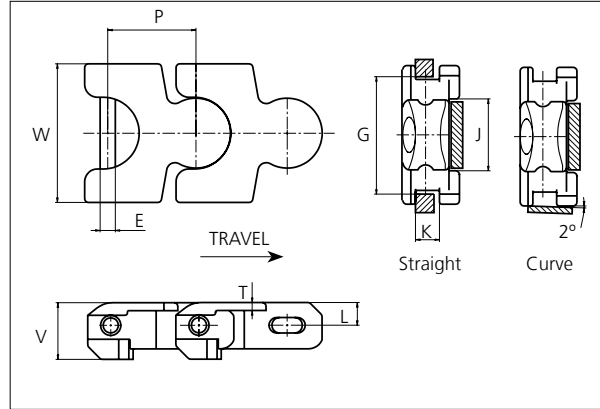
NON STANDARD

SIDE FLEXING

PITCH 70.0 MM/2.76 IN

# uni Flex Plastic Chain

Series **uni 2700** Type **R**



## uni Flex Plastic Chain

Side flexing chain  
 Pitch: 70.0 mm (2.76 in)  
 Backflex radius:  
 200 mm (8.00 in)  
 Permissible tensile strength:  
 POM material  
 11000 N (2473 lbf)

Standard shipping lengths:  
 boxes of 72 links  
 = 5.040 m (16.5 ft)

NON STANDARD

E		G		J		K		L		P		T		V	
mm	in	mm	in	mm	in	mm	in	mm	in	mm	in	mm	in	mm	in
12.0	0.47	92.0	3.64	57.0	2.24	19.0	0.75	18.5	0.71	70.0	2.76	6.3	0.25	45.0	1.77

All dimensions are for chains in POM material.

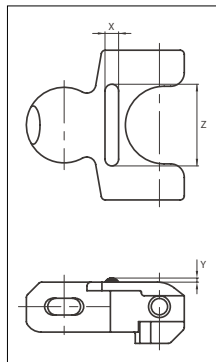
Width (W)		Recommended base material & color	Recommended pin material & color	Weight		Min. radius (R)	
mm	in			kg/m	lb/ft	mm	in
110.0	4.33	POM-D <b>W</b> POM-D <b>G</b> POM-LF <b>BR</b>	<b>SS304</b>	4.4	2.96	250.0	9.84

Non standard material and color: See uni Material and Color Overview.

Non standard pin material: See uni Material and Color Overview.

## Accessories

### Rubber Top



When ordering, please state the required distance between the Rubber Top.

Other Non Standard rubber profiles:  
 See uni Rubber Profile Overview

Link material	Rubber material	Z		X		Y	
		mm	in	mm	in	mm	in
POM-D <b>W</b>	05 <b>I</b>	10.0	0.39	30.0	1.18	3.0	0.12

SIDE FLEXING

PITCH 70.0 MM/2.76 IN

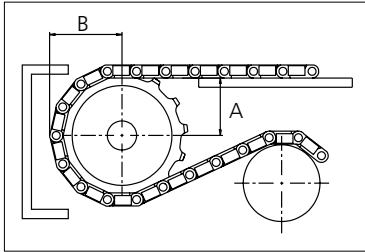
## Sprocket

No of teeth	Pitch diameter		Overall-diameter		Min. ø bore		Max. ø bore		Hub-diameter		Dimension A		Dimension B		 Machined PAG
	mm	in	mm	in	mm	in	mm	in	mm	in	mm	in	mm	in	
<b>Z8</b>	182.8	7.20	184.0	7.2	20.00	0.8	50.00	2.0	73.50	2.9	92.80	3.7	116.70	4.6	✓
<b>Z10</b>	226.4	8.91	227.6	9.0	20.00	0.8	50.00	2.0	73.50	2.9	116.00	4.6	137.60	5.4	✓

### Machined sprocket



Non standard material and color:  
See uni Material and Color Overview.



Please ensure that sufficient size shaft and keyway are chosen for corresponding load.

Other sprocket sizes are available upon request  
Width of tooth: 15.0 mm/0.60 in  
Width of sprocket: 42.3 mm/1.70 in  
uni Retainer Rings: See uni Retainer Ring data sheet