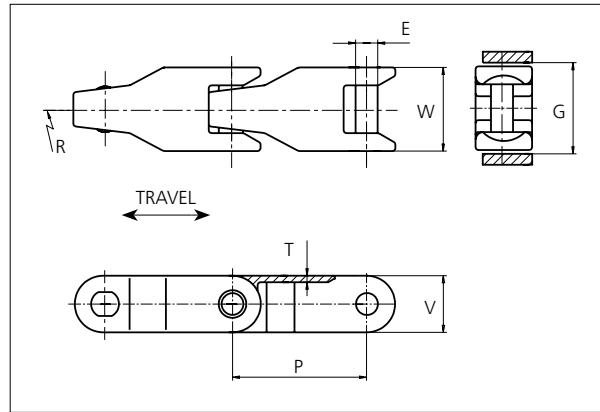


# uni Flex Plastic Chain

Series **uni 2600** Type **C**



## uni Flex Plastic Chain

Side flexing chain  
 Pitch: 63.5 mm (2.50 in)  
 Backflex radius:  
 75.0 mm (3.00 in)  
 Permissible tensile strength:  
 POM material 6000 N (1349 lbf)

Standard shipping lengths:  
 boxes of 96 links  
 = 6.096 m (20.0 ft)

E		G		P		T		V	
mm	in	mm	in	mm	in	mm	in	mm	in
11.0	0.43	44.5	1.75	63.5	2.50	3.5	0.14	28.4	1.12

All dimensions are for chains in POM material.

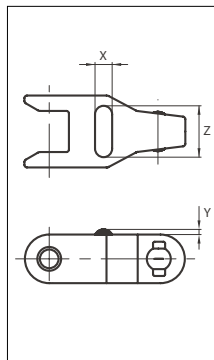
Nominal width (W)		Material & color	Pin material	Weight		Min. radius (R)	
mm	in			kg/m	lb/ft	mm	in
42.0	1.65	POM-D <b>W</b> <b>G</b> <b>B</b>	<b>SS304</b>	1.4	0.94	600.0	23.62

Non standard material and color: See uni Material and Color Overview.

Non standard pin material: See uni Material and Color Overview.

## Accessories

### Rubber Top



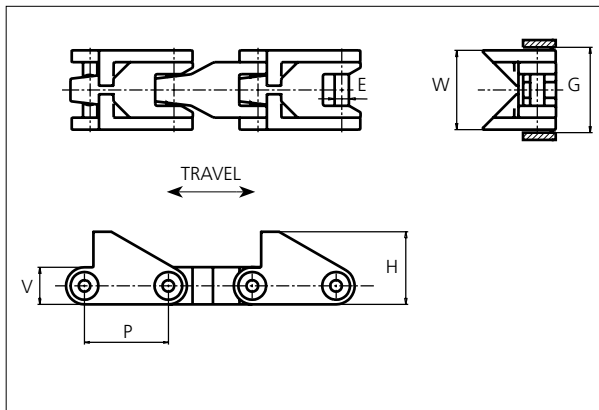
When ordering, please state the required distance between the Rubber Top.

Other Non Standard rubber profiles:  
 See uni Rubber Profile Overview.

Link material	Rubber material	Z		X		Y	
		mm	in	mm	in	mm	in
POM-D <b>W</b>	05 <b>I</b>	30.0	1.18	10.0	0.39	3.0	0.12

# uni Flex Plastic Chain

Series **uni 2600** Type **CV**



## uni Flex Plastic Chain

Straight running  
 Pitch: 63.5 mm (2.50 in)  
 Backflex radius: 75.0 mm (3.00 in)  
 Permissible tensile strength:  
 POM material: 6000 N (1349 lbf)  
 The product supports can be placed no closer than every other pitch (127.0 mm or 5.00 in)  
 Standard shipping lengths:  
 boxes of 96 links  
 = 6.096 m (20.0 ft)

E		G		H		P		V	
mm	in	mm	in	mm	in	mm	in	mm	in
11.0	0.43	64.0	2.52	55.0	2.17	63.5	2.50	28.4	1.12

All dimensions are for chains in POM material.

Nominal width (W)		Recommended Material & color	Recommended Pin material	Weight	
mm	in			kg/m	lb/ft
61.5	2.42	POM-D <b>W</b>	<b>SS304</b>	2.1	1.41

Non standard material and color: See uni Material and Color Overview.

Non standard pin material: See uni Material and Color Overview.

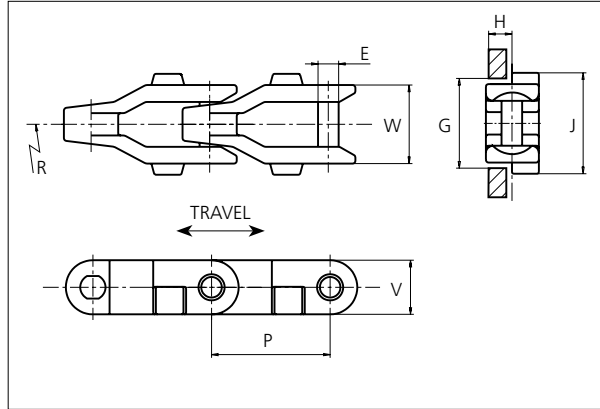
NON STANDARD

STRAIGHT RUNNING

PITCH 63.5 MM/2.50 IN

# uni Flex Plastic Chain

Series **uni 2600** Type **Tab O**



## uni Flex Plastic Chain

Side flexing chain  
 Pitch: 63.5 mm (2.50 in)  
 Backflex radius:  
 75.0 mm (3.00 in)  
 Permissible tensile strength:  
 POM material:

6000 N (1349 lbf)  
 Standard shipping lengths:  
 boxes of 96 links  
 = 6.096 m (20.0 ft)

E		G		H		J		P		V	
mm	in	mm	in	mm	in	mm	in	mm	in	mm	in
11.0	0.43	44.5	1.75	14.0	0.55	54.0	2.13	63.5	2.50	28.4	1.12

All dimensions are for chains in POM material.

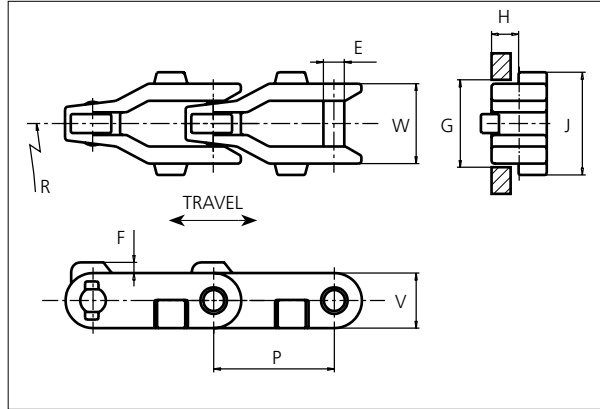
Nominal width (W)		Material & color	Pin material	Weight		Min. radius (R)	
mm	in			kg/m	lb/ft	mm	in
42.0	1.65	POM-D <b>W</b> <b>G</b> <b>B</b> POM-SLF <b>DG</b>	<b>SS304</b>	1.4	0.94	600	23.62

Non standard material and color: See uni Material and Color Overview.

Non standard pin material: See uni Material and Color Overview.

# uni Flex Plastic Chain

Series **uni 2600** Type **Tab O M**



## uni Flex Plastic Chain

Side flexing chain  
 Pitch: 63.5 mm (2.50 in)  
 Backflex radius:  
 75.0 mm (3.00 in)  
 Permissible tensile strength:  
 POM material  
 6000 N (1349 lbf)

Standard shipping lengths:  
 boxes of 96 links  
 = 6.096 m (20.0 ft)

NON STANDARD

E		G		F		H		J		P		V	
mm	in	mm	in	mm	in	mm	in	mm	in	mm	in	mm	in
11.0	0.43	44.5	1.75	5.6	0.22	14.0	0.55	54.0	2.13	63.5	2.50	28.4	1.12

All dimensions are for chains in POM material.

Nominal width (W)		Recommended Material & color	Recommended Pin material	Weight		Min. radius R	
mm	in			kg/m	lb/ft	mm	in
42.0	1.65	POM-D <b>W</b> POM-LF <b>BR</b>	<b>SS304</b>	1.6	1.08	600.0	23.62

Non standard material and color: See uni Material and Color Overview.

Non standard pin material: See uni Material and Color Overview.

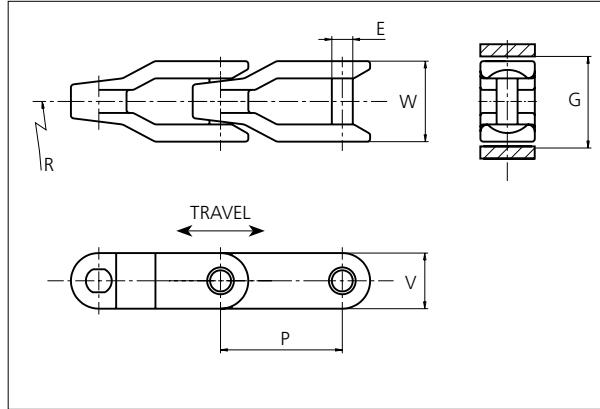
**When ordering, please, state the required distance between the product supports.**

SIDE FLEXING

PITCH 63.5 MM/2.50 IN

# uni Flex Plastic Chain

Series **uni 2600** Type **O**



## uni Flex Chains

Side flexing chain  
 Pitch: 63.5 mm (2.50 in)  
 Backflex radius:  
 75.0 mm (3.00 in)  
 Permissible tensile strength:  
 POM material:  
 6000 N (1349 lbf)

Standard shipping lengths:  
 boxes of 96 links = 6.096 m  
 (20.0 ft)

STANDARD

E		G		P		V	
mm	in	mm	in	mm	in	mm	in
11.0	0.43	44.5	1.75	63.5	2.50	28.4	1.12

All dimensions are for chains in POM material.

Nominal width (W)		Material & color	Pin material	Weight		Min. radius (R)	
mm	in			kg/m	lb/ft	mm	in
42.0	1.65	POM-D <b>W</b> <b>G</b> <b>B</b>	SS304	1.3	0.87	600	23.62

Non standard material and color: See uni Material and Color Overview.

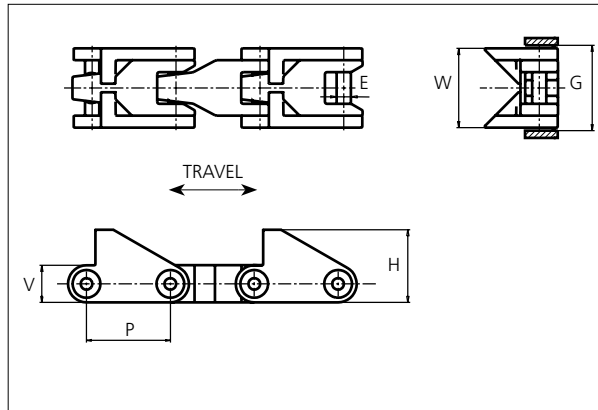
Non standard pin material: See uni Material and Color Overview.

SIDE FLEXING

PITCH 63.5 MM/2.50 IN

# uni Flex Plastic Chain

Series **uni 2600** Type **OV**



## uni Flex Plastic Chain

Straight running  
 Pitch: 63.5 mm (2.50 in)  
 Backflex radius:  
 75.0 mm (3.00 in)  
 Permissible tensile strength:  
 POM material:

6000 N (1349 lbf)  
 Standard shipping lengths:  
 boxes of 96 links  
 = 6.096 m (20.0 ft)

E		G		H		P		V	
mm	in	mm	in	mm	in	mm	in	mm	in
11.0	0.43	64.0	2.25	55.0	2.17	63.5	2.50	28.4	1.12

All dimensions are for chains in POM material.

Nominal width (W)		Recommended Material & color	Recommended Pin material	Weight	
mm	in			kg/m	lb/ft
61.5	2.42	POM-D <b>W</b>	<b>SS304</b>	2.0	1.34

Non standard material and color: See uni Material and Color Overview.

Non standard pin material: See uni Material and Color Overview.

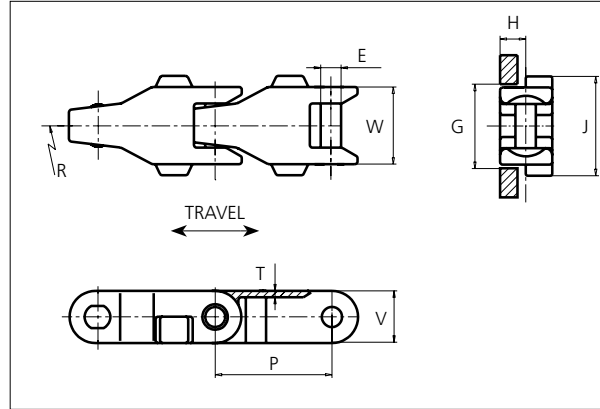
NON STANDARD

STRAIGHT RUNNING

PITCH 63.5 MM/2.50 IN

# uni Flex Plastic Chain

Series **uni 2600** Type **Tab C**



## uni Flex Plastic Chain

Side flexing chain  
 Pitch: 63.5 mm (2.50 in)  
 Backflex radius:  
 75.0 mm (3.00 in)  
 Permissible tensile strength:  
 POM material:  
 6000 N (1349 lbf)

Standard shipping lengths:  
 boxes of 96 links  
 = 6.096 m (20.0 ft)

STANDARD

E		G		H		J		P		T		V	
mm	in	mm	in	mm	in	mm	in	mm	in	mm	in	mm	in
11.0	0.43	44.5	1.75	14.0	0.55	54.0	2.13	63.5	2.50	3.5	0.14	28.4	1.12

All dimensions are for chains in POM material.

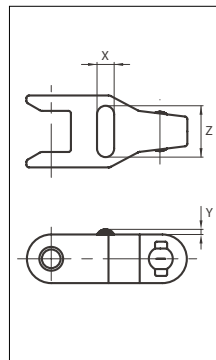
Nominal width (W)		Material & color	Pin material	Weight		Min. radius (R)	
mm	in			kg/m	lb/ft	mm	in
42.0	1.65	POM-D <b>W</b> <b>G</b> <b>B</b>	<b>SS304</b>	1.5	1.00	600	23.62

Non standard material and color: See uni Material and Color Overview.

Non standard pin material: See uni Material and Color Overview.

## Accessories

### Rubber Top



When ordering, please state the required distance between the Rubber Top.

Other Non Standard rubber profiles:  
 See uni Rubber Profile Overview.

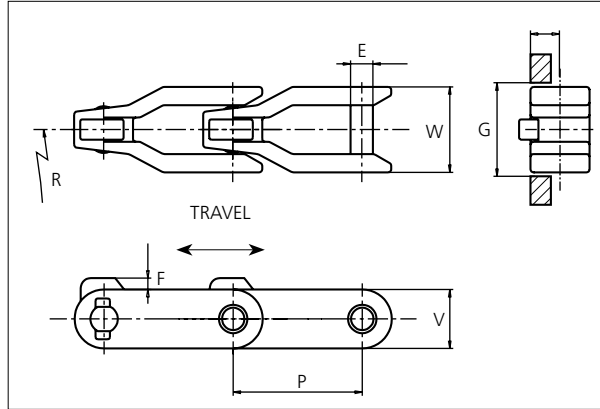
Link material	Rubber material	Z		X		Y	
		mm	in	mm	in	mm	in
POM-D <b>W</b>	05 <b>I</b>	30.0	1.18	10.0	0.39	3.0	0.12

SIDE FLEXING

PITCH 63.5 MM/2.50 IN

# uni Flex Plastic Chain

Series **uni 2600** Type **O M**



## uni Flex Chains

Side flexing chain  
 Pitch: 63.5 mm (2.50 in)  
 Backflex radius:  
 75.0 mm (3.00 in)  
 Permissible tensile strength:  
 POM material:  
 6000 N (1349 lbf)

Standard shipping lengths:  
 boxes of 96 links  
 = 6.096 m (20.0 ft)

NON STANDARD

E		F		G		P		V		W	
mm	in	mm	in	mm	in	mm	in	mm	in	mm	in
11.0	0.43	5.6	0.22	44.5	1.75	63.5	2.50	28.4	1.12	42.0	1.65

All dimensions are for chains in POM material.

Nominal width (W)		Material & color	Pin material	Weight		Min. radius (R)	
mm	in			kg/m	lb/ft	mm	in
42.0	1.65	POM-D <b>W</b> <b>G</b> <b>B</b>	<b>SS304</b>	1.3	0.87	600	23.62

Non standard material and color: See uni Material and Color Overview.

Non standard pin material: See uni Material and Color Overview.

SIDE FLEXING

PITCH 63.5 MM/2.50 IN



## Sprocket

No of teeth	Pitch diameter		Overall-diameter		Min. ø bore		Max. ø bore		Hub-diameter		Dimension A		Dimension B		PA6	Cast iron	SS304
	mm	in	mm	in	mm	in	mm	in	mm	in	mm	in	mm	in	Molded	Molded	Machined
Z6	127.0	5.00	128.0	5.04	20.0	0.79	40.0	1.57	63.0	2.48	40.8	1.61	78.1	3.07	✓	✓	
Z8	165.9	6.53	168.9	6.65	20.0	0.79	50.0	1.97	73.5	2.89	62.5	2.46	97.5	3.84	✓	✓	✓
Z10	205.5	8.09	210.5	8.29	20.0	0.79	50.0	1.97	73.5	2.89	83.5	3.29	117.2	4.61	✓	✓	
Z11	225.4	8.87	231.4	9.11	20.0	0.79	50.0	1.97	73.5	2.89	93.9	3.70	127.1	5.00	✓	✓	

Machined sprocket



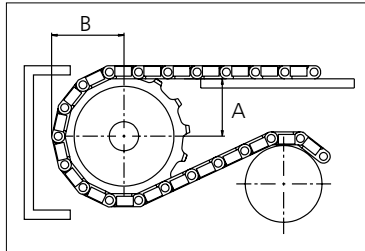
Cast iron sprocket



SS304 sprocket



Non standard material and color:  
See uni Material and Color Overview.



Please ensure that sufficient size shaft and keyway are chosen for corresponding load.

Other sprocket sizes are available upon request

Width of tooth: 11.0 mm/0.43 in

Width of sprocket: 42.3 mm/1.66 in

uni Retainer Rings: See uni Retainer Ring data sheet