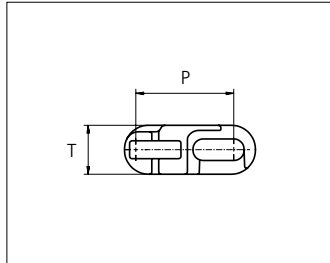
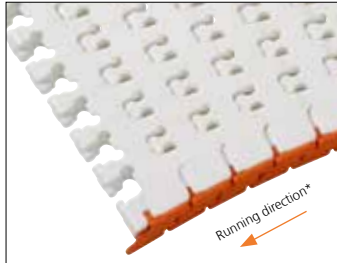




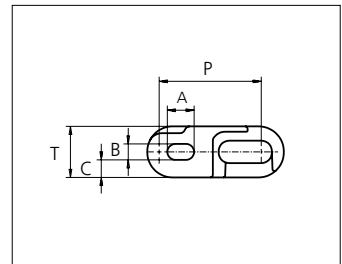
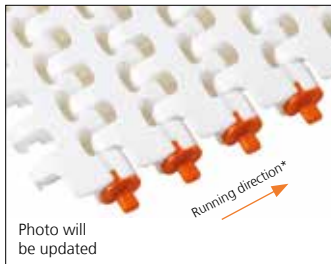
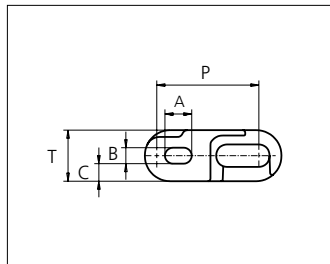
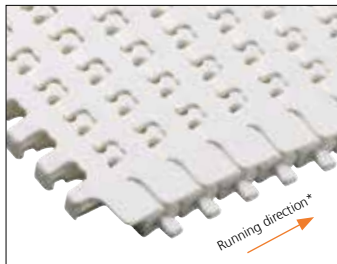
# Plastic Modular Belt

## Series uni Flex ONE



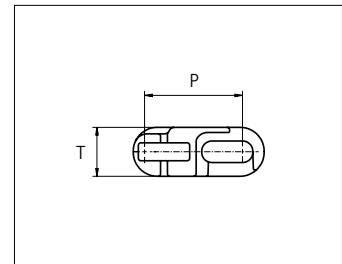
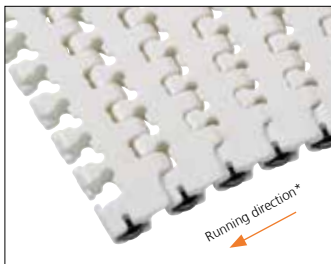
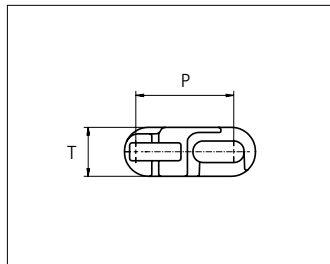
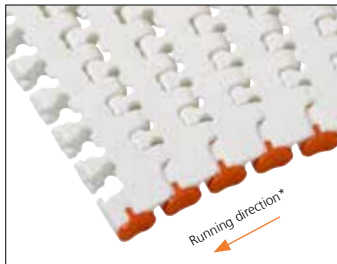
Sideflexing belt  
 Nominal pitch: 38.1 mm (1.50 in)  
 Surface type: Flat  
 Surface opening: 15%  
 Backflex radius: 50.0 mm (1.97 in)  
 Min. inside radius R1.6 x belt width

**uni Flex ONE EWC R1.6**  
 Surface Opening: 15%



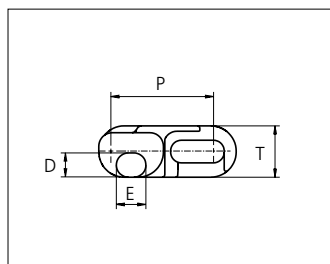
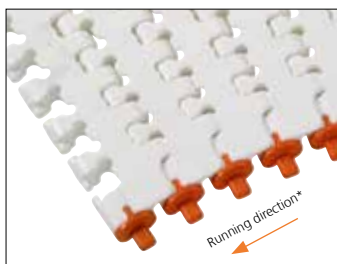
**uni Flex ONE O R1.6**  
 Surface Opening: 15%

**uni Flex ONE EO R1.6**  
 Surface Opening: 15%



**uni Flex ONE EW R1.6**  
 Surface Opening: 15%

**uni Flex ONE ER R1.6**  
 Surface Opening: 15%



**uni Flex ONE EOO R1.6**  
 Surface Opening: 15%

\*uni-chains recommends this travel direction. However travel in both directions is possible.

	mm	in		mm	in
<b>P (Nominal)</b>	38.1	1.50	<b>D</b>	9.0	0.35
<b>A</b>	10.0	0.39	<b>E</b>	11.0	0.43
<b>B</b>	5.9	0.23	<b>T</b>	19.1	0.75
<b>C</b>	6.6	0.26	-	-	-

<b>Belt material &amp; color</b>	POM-SX <b>W</b> <b>B</b> **
<b>O-Tab, Wearpart material &amp; color</b>	POM DK <b>O</b>
<b>EWC Wearpart material &amp; color</b>	K750: POM DK <b>Y</b> K1200, K1500, K1800: POM DK <b>O</b> K2400: POM DK <b>B</b>

\*\*Please note that uni Flex ONE in POM-SX blue is not according to the standard color quality for blue. Small variations may occur.



STANDARD  
 SIDE FLEXING  
 PITCH 38.1 MM/1.50 IN

Belt width			Type	Permissible tensile force Belt/pin material				Belt weight Belt material		*Recommended No. drive sprocket per shaft	Number of wear strips (Min No.)	
				POM-SX				POM-SX			**Carry (pcs)	**Return (pcs)
Size	mm	in		Straight sections		Curve sections		kg/m	lb/ft			
			N	lbf	N	lbf						
K750	190.5	7.5	O	2400	540	2000	450	2.5	1.68	2	2	2
			EW					2.4	1.61			
			EO/EOO					2.5	1.68			
			ER					2.6	1.75			
			EWC					2.7	1.81			
K1200	304.8	12.0	O	4000	899	3400	764	4.0	2.69	4	3	2
			EW					3.9	2.62			
			EO/EOO					4.0	2.69			
			ER					4.1	2.76			
			EWC					4.2	2.82			
K1500	381.0	15.0	O	6400	1439	3500	787	4.9	3.29	6	3	2
			EW					4.9	3.29			
			EO/EOO					4.9	3.29			
			ER					5.0	3.36			
			EWC					5.1	3.43			
K1800	457.2	18.0	O	8200	1843	3600	809	6.1	4.10	6	4	2
			EW					6.1	4.10			
			EO/EOO					6.1	4.10			
			ER					6.2	4.17			
			EWC					6.2	4.17			
K2400	609.6	24.0	O	12000	2698	3800	854	7.9	5.31	6	5	3
			EW					7.8	5.24			
			EO/EOO					7.8	5.24			
			ER					7.9	5.31			
			EWC					8.1	5.44			

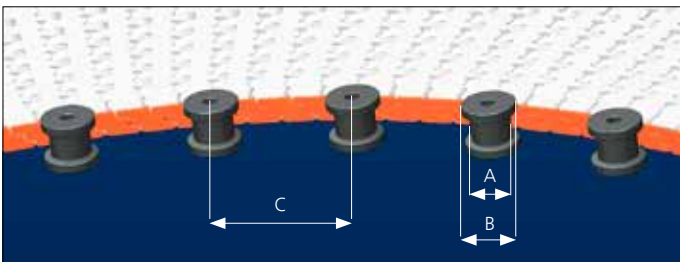
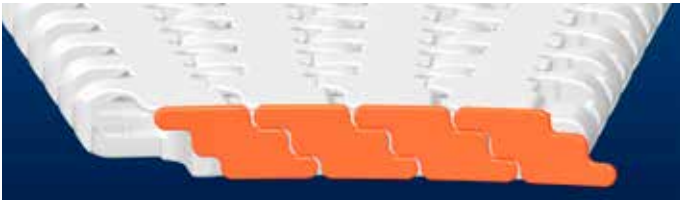
General belt tolerance is +0/-0.4% at 23°C/73°F.

\*Max. Load per Drive Sprocket. Belt material: POM-SX 2500 N (562 lbf).

\*\*Max. Spacing between wear strips, Carry: 152 mm (6 in); Return: 304 mm (12 in).

### Design Guide Lines

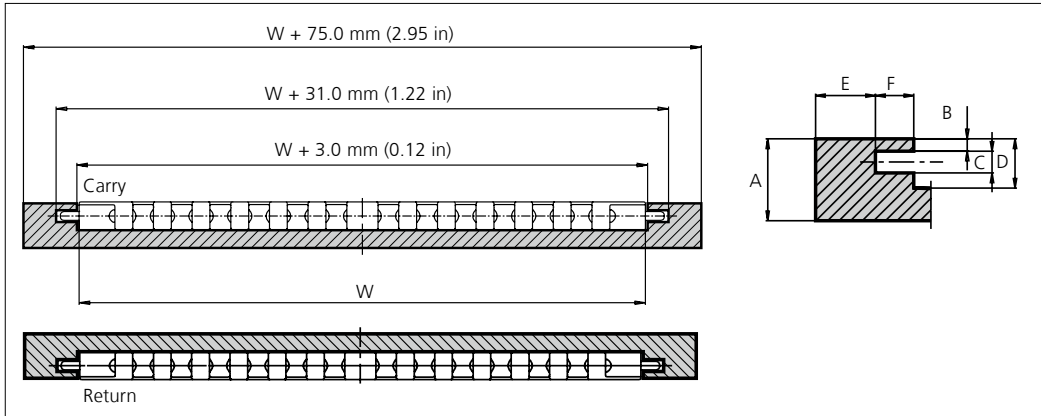
#### uni Flex One EWC



	mm	in
<b>A</b>	min $\varnothing$ 30	min $\varnothing$ 1¼
<b>B</b>	A + min 12	A + min ½
<b>C</b>	100-150	4-6

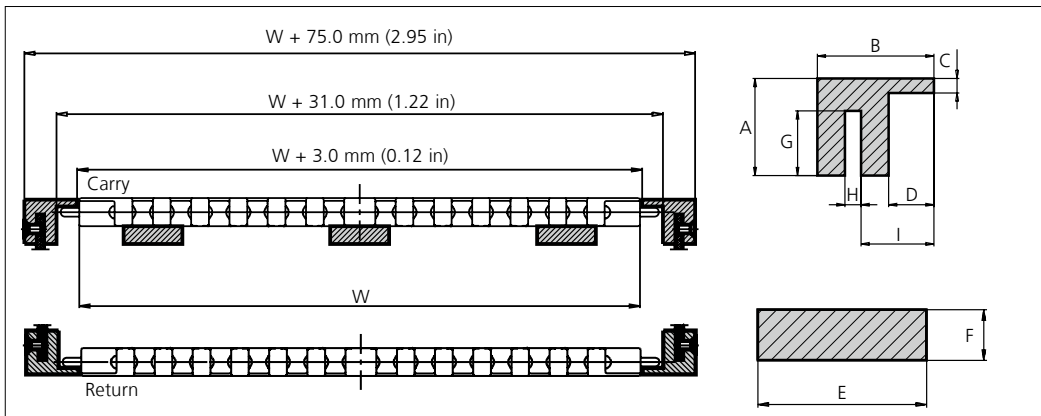
## Profiles for uni Flex ONE O/EO

### Compact Profile Configuration



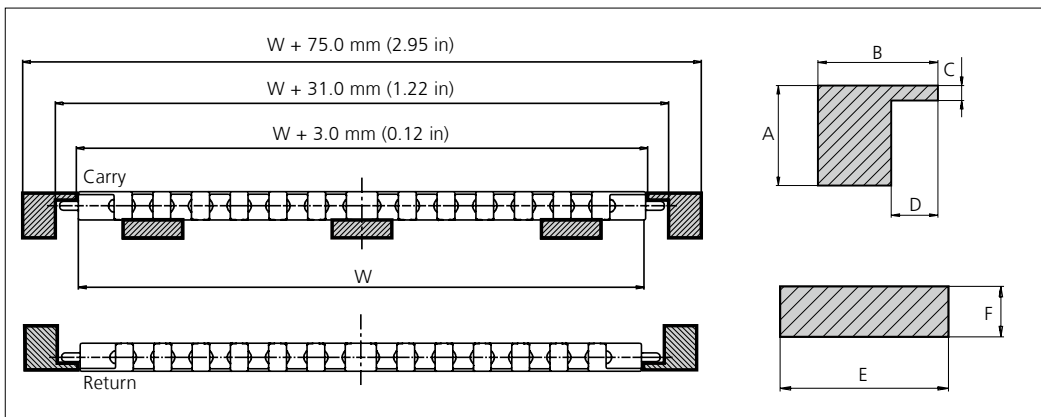
	mm	in
A	30.0	1.18
B	4.5	0.18
C	8.0	0.31
D	18.0	0.71
E	22.0	0.87
F	14.0	0.55

### Slotted Wearstrip Configuration



	mm	in
A	30.0	1.18
B	36.0	1.42
C	4.5	0.18
D	14.0	0.55
E	40.0	1.57
F	12.0	0.47
G	20.0	0.79
H	5.0	0.20
I	22.5	0.89

### Solid Wearstrip Configuration



	mm	in
A	30.0	1.18
B	36.0	1.42
C	4.5	0.18
D	14.0	0.55
E	40.0	1.57
F	12.0	0.47

#### uni Flex ONE O

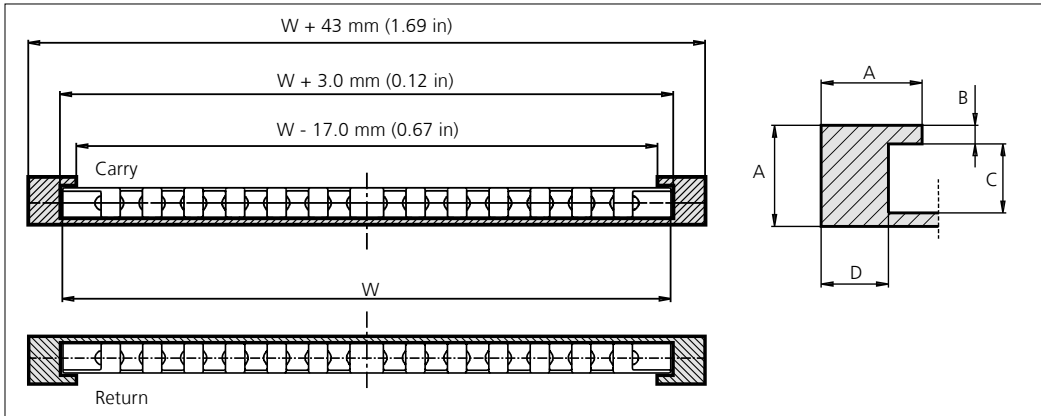
Using the uni Flex ONE with O-Tab and a slotted wearstrip, the O-Tab will allow the transported products to be wider than the belt. O-Tabs are molded into the belt to ensure cleanability and are preferred for direct food contact.

#### uni Flex ONE EO (Exchangeable O-Tab)

Exchangeable O-Tab system is made of heat and wear resistant material to improve performance between the belt edge and the wearstrip. Using a slotted wearstrip the exchangeable O-Tab will track the belt and allow the transported products to be wider than the belt. Resists high curve load at increased speed.

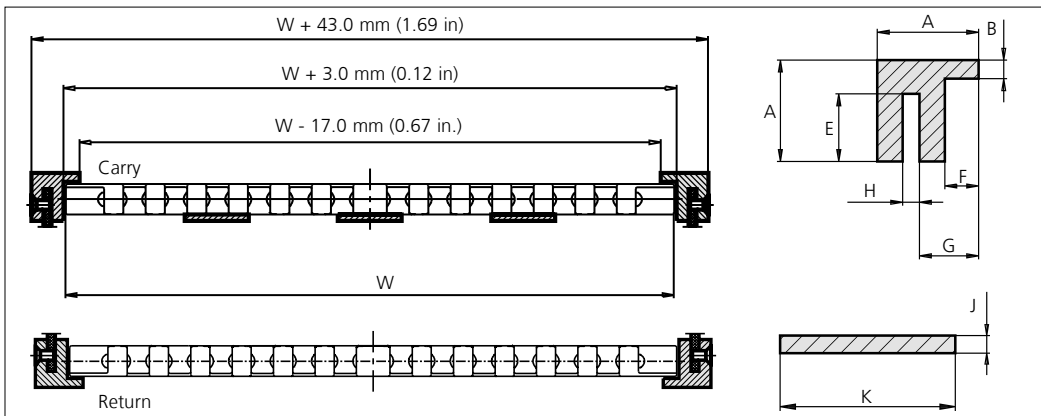
## Profiles for uni Flex ONE EW/ER

### Compact Profile Configuration



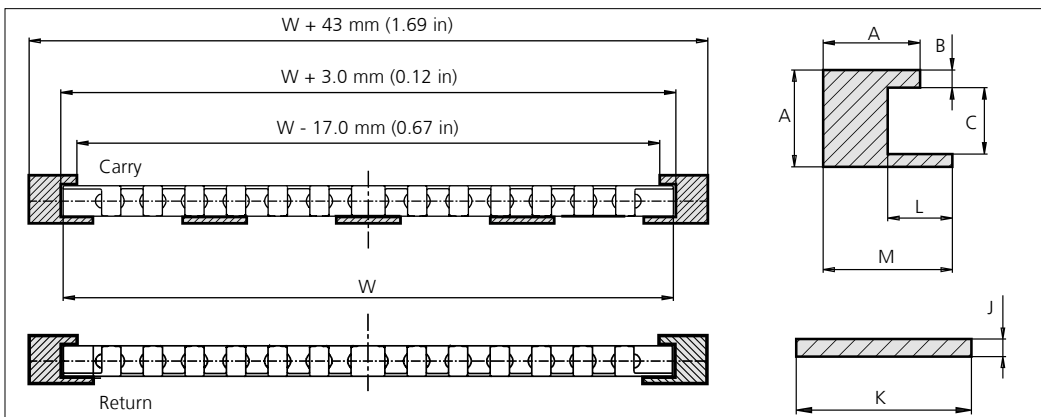
	mm	in
A	30.0	1.18
B	5.5	0.22
C	20.5	0.81
D	20.0	0.79

### Slotted Wearstrip Configuration



	mm	in
A	30.0	1.18
B	5.5	0.22
E	20.0	0.79
F	10.0	0.39
G	17.5	0.69
H	5.0	0.20
J	4.0	0.16
K	40.0	1.57

### Solid Wearstrip Configuration



	mm	in
A	30.0	1.18
B	5.5	0.22
C	20.5	0.81
J	4.0	0.16
K	40.0	1.57
L	20.0	0.79
M	40.0	1.57

#### uni Flex ONE EW (Exchangeable Wearpart)

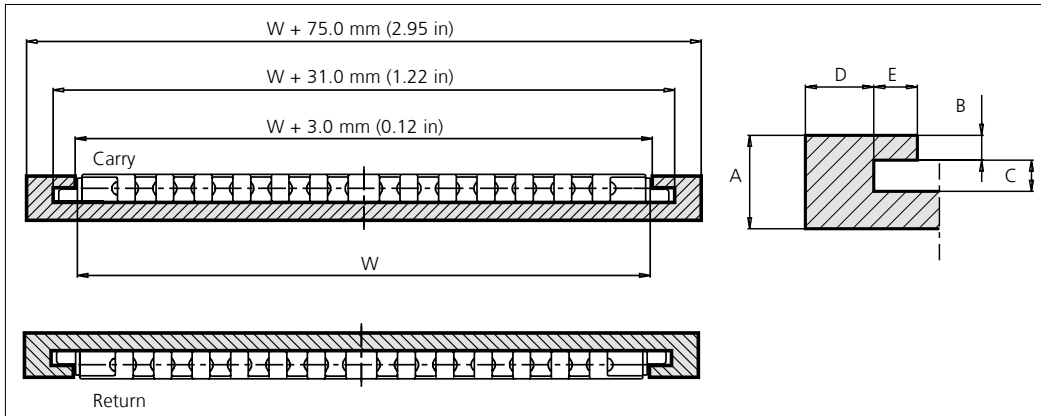
Exchangeable Wearpart system is made of heat and wear resistant material to improve performance between the belt edge and the wearstrip. This Wearpart can easily be replaced. Resists high curve load at increased speed.

#### uni Flex ONE ER (Exchangeable Edge Roller)

uni Flex ONE with Exchangeable Edge Rollers reduces friction in curves to a minimum making it very suitable for applications with many curves e.g. static spirals (non rotating drum) or high speed sideflexing conveyors.

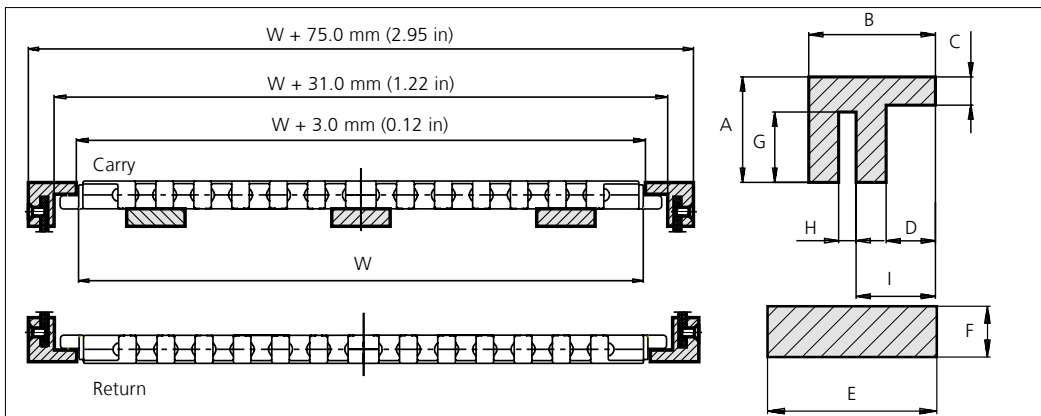
## Profiles for uni Flex ONE EOO

### Compact Profile Configuration



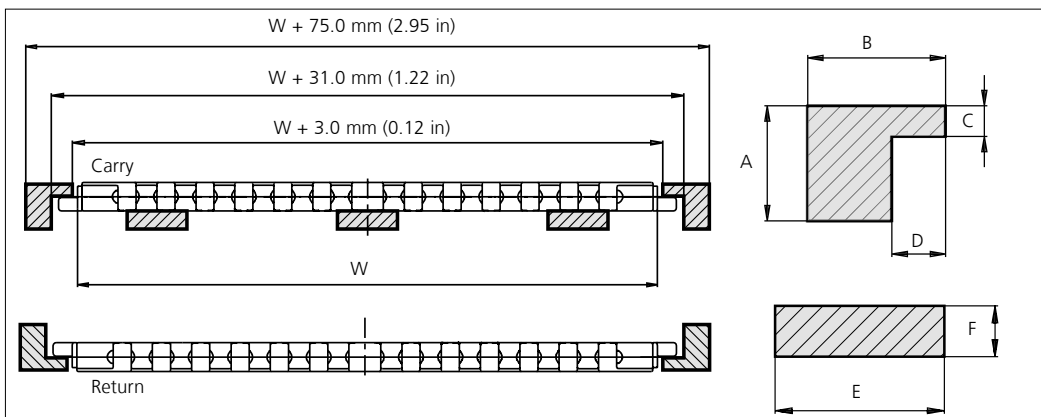
	mm	in
A	30.0	1.18
B	8.0	0.31
C	10.0	0.39
D	22.0	0.87
E	14.0	0.55

### Slotted Wearstrip Configuration



	mm	in
A	30.0	1.18
B	36.0	1.42
C	8.0	0.31
D	14.0	0.55
E	40.0	1.57
F	12.0	0.47
G	20.0	0.79
H	5.0	0.20
I	22.5	0.89

### Solid Wearstrip Configuration



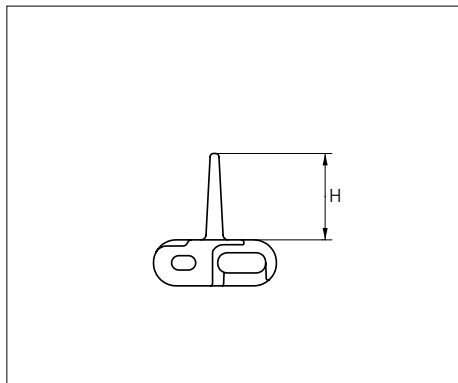
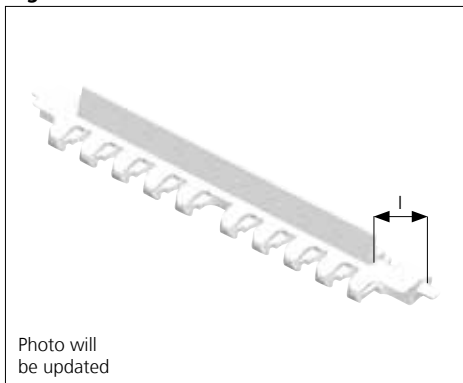
	mm	in
A	30.0	1.18
B	36.0	1.42
C	8.0	0.31
D	14.0	0.55
E	40.0	1.57
F	12.0	0.47

### uni Flex ONE EOO (Exchangeable Offset O-Tab)

Exchangeable O-Tab system is made of heat and wear resistant material to improve performance between the belt edge and the wearstrip. Using a slotted wearstrip the exchangeable O-Tab will track the belt and allow the transported products to be wider than the belt. Resists high curve load at increased speed.

## Accessories

### Flight

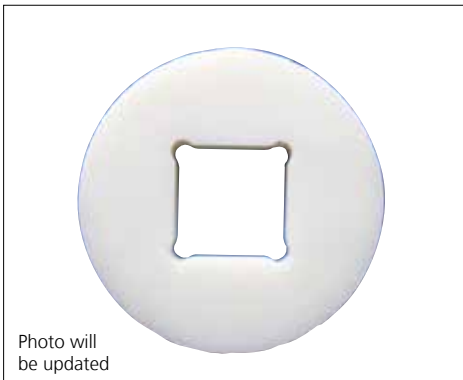


Type	Standard belt material & color	Height (H)		Indent (I)		Link size	Width	
		mm	in	mm	in		mm	in
Flight	POM-SX <b>W</b> <b>B</b> *	25.4	1.00	32.0	1.26	K1200	304.8	12.0

\* Please note that uni Flex ONE in POM-SX blue is not according to the standard color quality for blue. Small variations may occur.  
Non Standard material and color: See uni Material and Color Overview.

## Accessories

### Idler

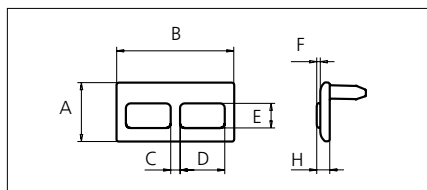


Type	Standard material & color	No. of teeth	Diameter idler	
			mm	in
Idler	POM-D <b>N</b>	8	72.9	2.87
		9	85.6	3.37
		11	110.7	4.36
		12	123.1	4.85
		13	135.5	5.33
		16	172.4	6.79

Thickness of idler: 20.0 mm (0.79 in).  
Recommended for use at idler end to ensure smooth and low noise operation.  
Non Standard material and color: See uni Material and Color Overview.

## Accessories

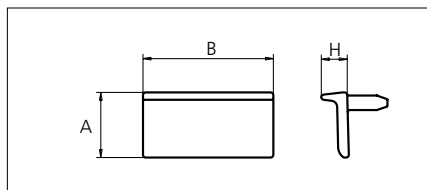
### Clip On Rubber Flat



	mm	in
<b>A</b>	25.0	0.98
<b>B</b>	50.0	1.97
<b>C</b>	4.0	0.16
<b>D</b>	19.0	0.75
<b>E</b>	10.5	0.41
<b>F</b>	1.5	0.06

## Accessories

### Clip On Flight



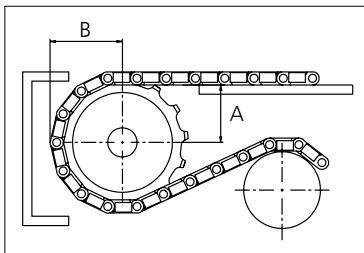
Type	Height (H)		Standard materials & colors
	mm	in	
uni Flex ONE Clip On Rubber Flat	5.5	0.22	POM-D <b>O</b> + Rubber 01 <b>K</b>
uni Flex ONE Clip On Flight	10.0	0.39	POM-D <b>O</b>

## Sprocket

No. of teeth	Bore size								Overall diameter		Pitch diameter		Hub diameter		Dimension A		Dimension B		Single row/One way	Molded
	Pilot Bore	in	0.98	1.00	1.18	1.25	1.50	1.57												
	mm	25.0	25.4	30.0	31.8	38.1	40.0	mm	in	mm	in	mm	in	mm	in	mm	in			
Z08	✓	■	●	●	●		●	101	3.98	99.6	3.93	60.0	2.36	36.5	1.44	59.0	2.32	✓	✓	
Z09	✓		●	●	●		●	113.7	4.48	111.4	4.39	70.0	2.76	42.8	1.69	64.9	2.56	✓	✓	
Z09						■	■	113.7	4.48	111.4	4.39	74.0	2.91	42.8	1.69	64.9	2.56	✓	✓	
Z11	✓		●	●	●			138.8	5.46	135.2	5.32	70.0	2.76	55.4	2.18	76.9	3.03	✓	✓	
Z11						■	■	138.8	5.46	135.2	5.32	74.0	2.91	55.4	2.18	76.9	3.03	✓	✓	
Z12	✓			●	●	●	●	151.2	5.95	147.2	5.80	70.0	2.76	61.6	2.43	82.9	3.26	✓	✓	
Z12						■	■	151.2	5.95	147.2	5.80	74.0	2.91	61.6	2.43	82.9	3.26	✓	✓	
Z13	✓			●	●	●	●	163.6	6.44	159.2	6.27	70.0	2.76	67.8	2.67	88.9	3.50	✓	✓	
Z13						■	■	163.6	6.44	159.2	6.27	74.0	2.91	67.8	2.67	88.9	3.50	✓	✓	
Z16	✓			●	●	●	●	200.5	7.89	195.3	7.69	70.0	2.76	86.3	3.40	107.0	4.21	✓	✓	
Z16						■	■	200.5	7.89	195.3	7.69	74.0	2.91	86.3	3.40	107.0	4.21	✓	✓	

■ Molded sprocket

● Molded sprocket



Other sprocket sizes are available upon request  
 Other bore sizes are available upon request  
 uni Retainer Rings: See uni Retainer Ring data sheet  
 Width of tooth = 9.0 mm (0.35 in)  
 Width of sprocket = 39.0 mm (1.54 in)

Max. load per sprocket shown does not take bore size into account.  
 Please also ensure that sufficient size shaft is chosen for corresponding load.

For correct sprocket position: See uni Assembly Instructions for uni Flex ONE.  
 For more detailed sprocket information, contact Customer Service.

Non standard material and color: See uni Material and Color Overview.