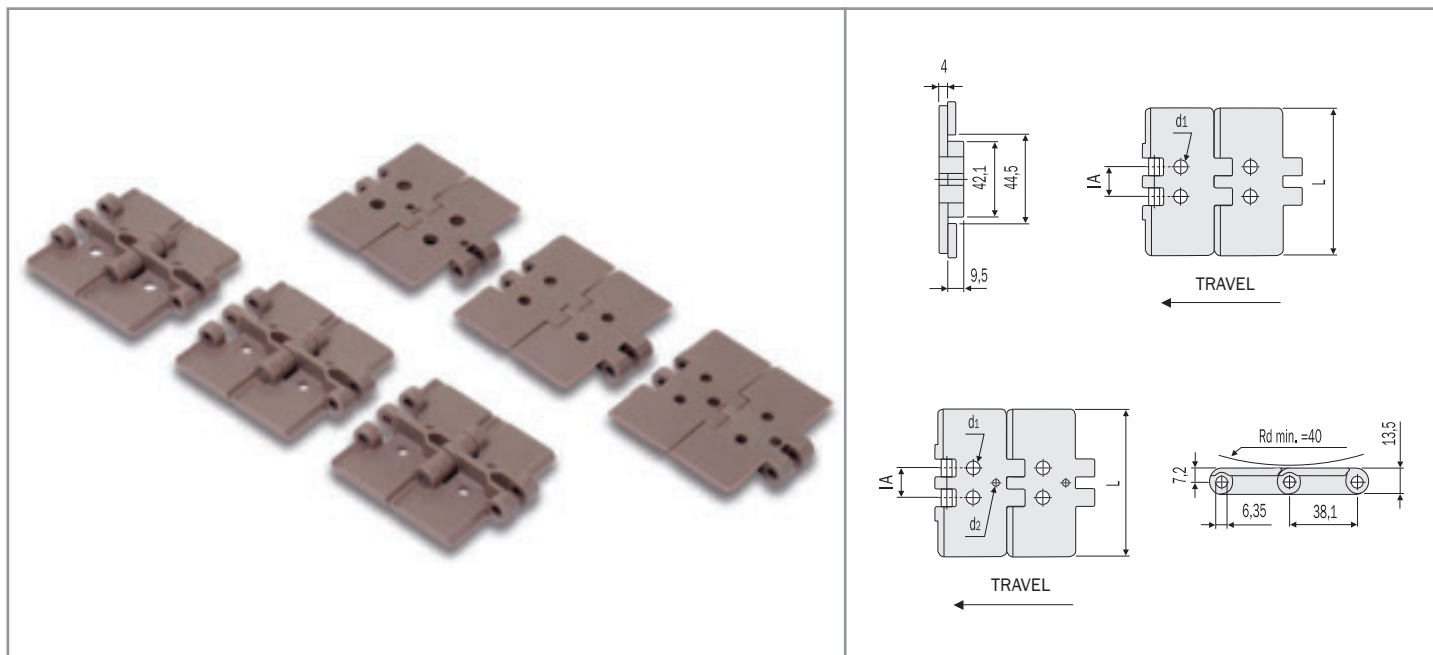


vacuum thermoplastic straight runn. chains

820 VACUUM SERIES



LFA 820 VACUUM - LOW FRICTION ACETAL RESIN

- Plates in self-lubricating low friction acetal resin, light brown-coloured, with 2 or 3 bores per link.
- Pins in special chrome-nickel stainless steel, work hardened for high resistance.



p.169 p.230
p.210 p.232

PRODUCT CODE	INTERNAL CODE	CHARACTERISTICS					
	B2 TWO BORES	Width L (mm)	Diam. bore d1 (mm)	Diam. bore d2 (mm)	IA* (mm)	Working Load Max N (21°C)	Weight kg/m
LFA 820 K325 B2	6.10.040.2	82.5	6.5	-	19	1230	0.83
LFA 820 K350 B2	6.10.060.2	88.9	4.0	-	45	1230	0.87
LFA 820 K450 B2 H30	6.10.080.2a	114.3	8.0	-	30	1230	1.03
LFA 820 K450 B2 H50	6.10.080.2b	114.3	8.0	-	50	1230	1.03
	B3 THREE BORES						
LFA 820 K325 B3	6.10.040.3	82.5	7.9	4.4	20	1230	0.83

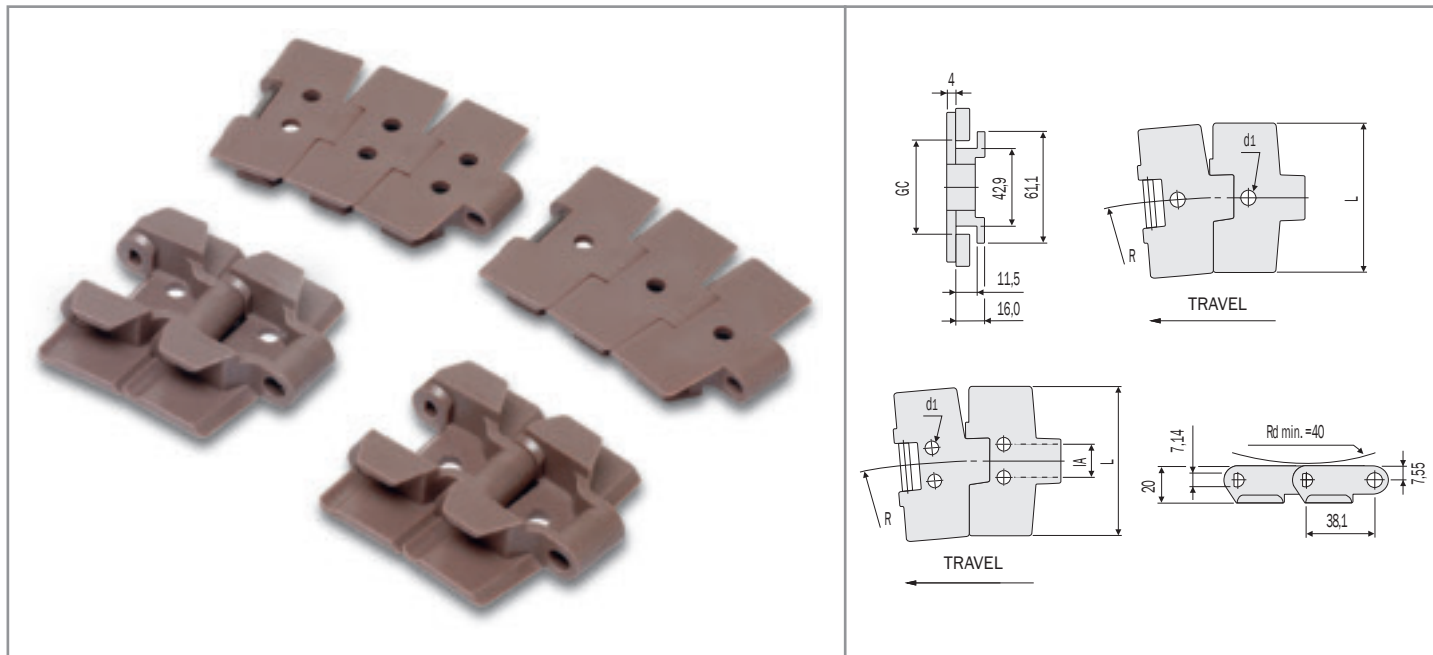
* IA = Distance between centres.

- Standard shipping lengths = 80 pitches = 10 feet = 3,048 metres.

- These chains can be supplied either with pins in austenitic stainless steel, work hardened, highly wear resistant, or with pins in thermoplastic resin.

vacuum thermoplastic sideflexing chains

880 TAB VACUUM SERIES



LFA 880 TAB VACUUM - LOW FRICTION ACETAL RESIN

- Plates in self-lubricating low friction acetal resin, light brown-coloured, with 1 or 2 bores per link.
- Pins in special chrome-nickel stainless steel, work hardened for high resistance.



PRODUCT CODE	INTERNAL CODE	CHARACTERISTICS							
		Width L (mm)	Diam. bore d1 (mm)	IA* (mm)	R (mm)	GC st. (mm)	GC sid. (mm)	Work. Load Max N (21°C)	Weight kg/m
	B1 ONE BORE								
LFA 880 TAB K325 B1...	6.12.041.1...	82.5	5 / 6 / 6.5 8 / 9.5 / 10	-	457	46	44.2	2100	0.94
	B2 TWO BORES								
LFA 880 TAB K325 B2...	6.12.041.2a	82.5	6.0	24	457	46	44.2	2100	0.94
	6.12.041.2b	82.5	8.0	20	457	46	44.2	2100	0.94
LFA 880 TAB K450 B2...	6.12.081.2a	114.3	6.0	24	610	46	44.2	2100	1.08

- * IA = Distance between centres.
- Standard shipping lengths = 80 pitches = 10 feet = 3,048 metres.
- These chains can be supplied either with pins in austenitic stainless steel, work hardened, highly wear resistant, or with pins in thermoplastic resin.